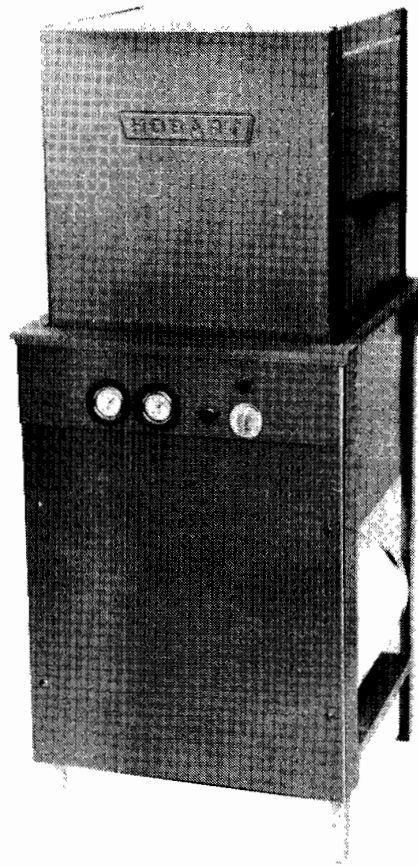




Catalogue of Replacement Parts



SM8-E

ML 25390
ML 25398

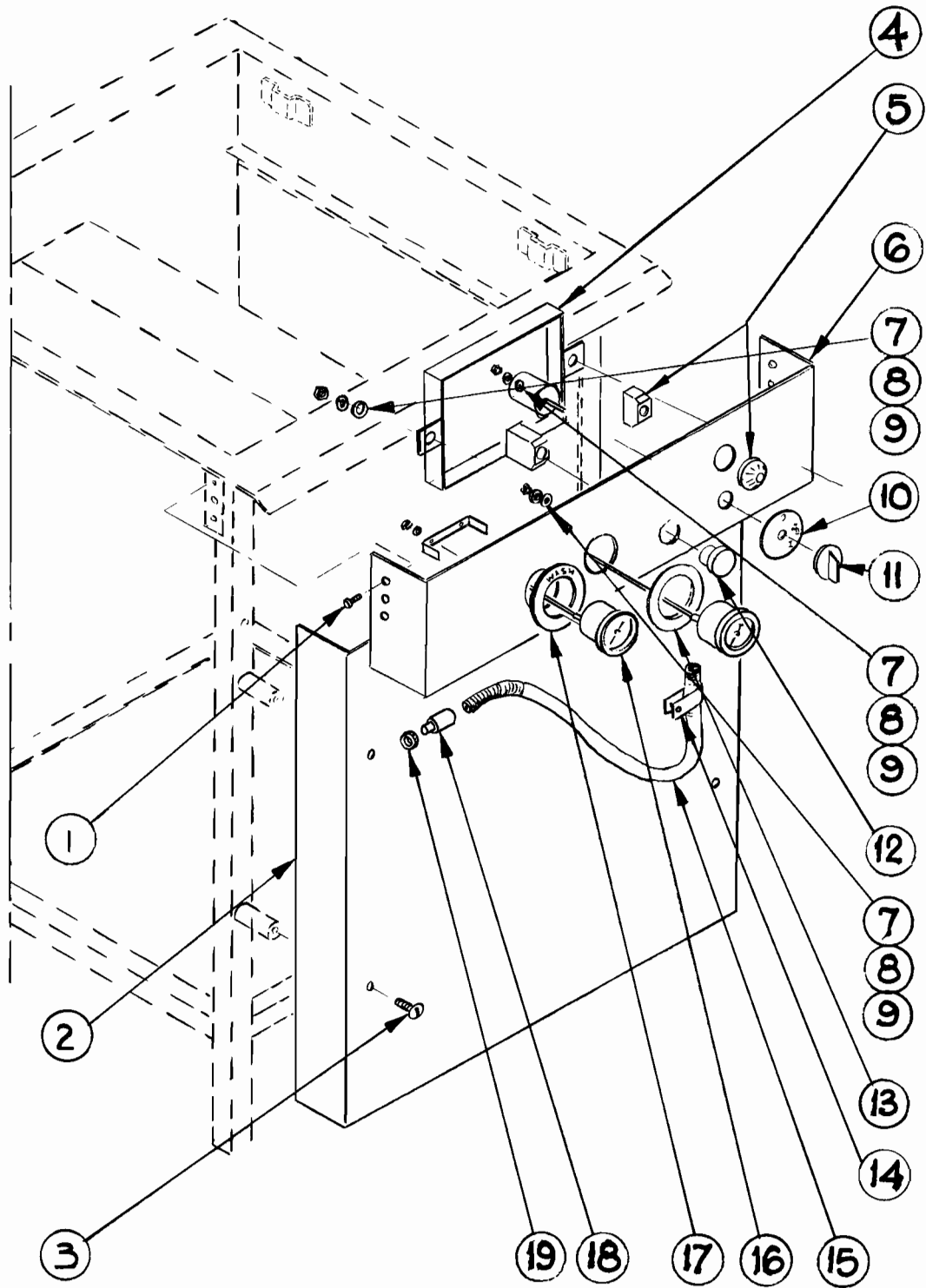


SM8-E

CONTENTS**INDEX OF SPARE PARTS**

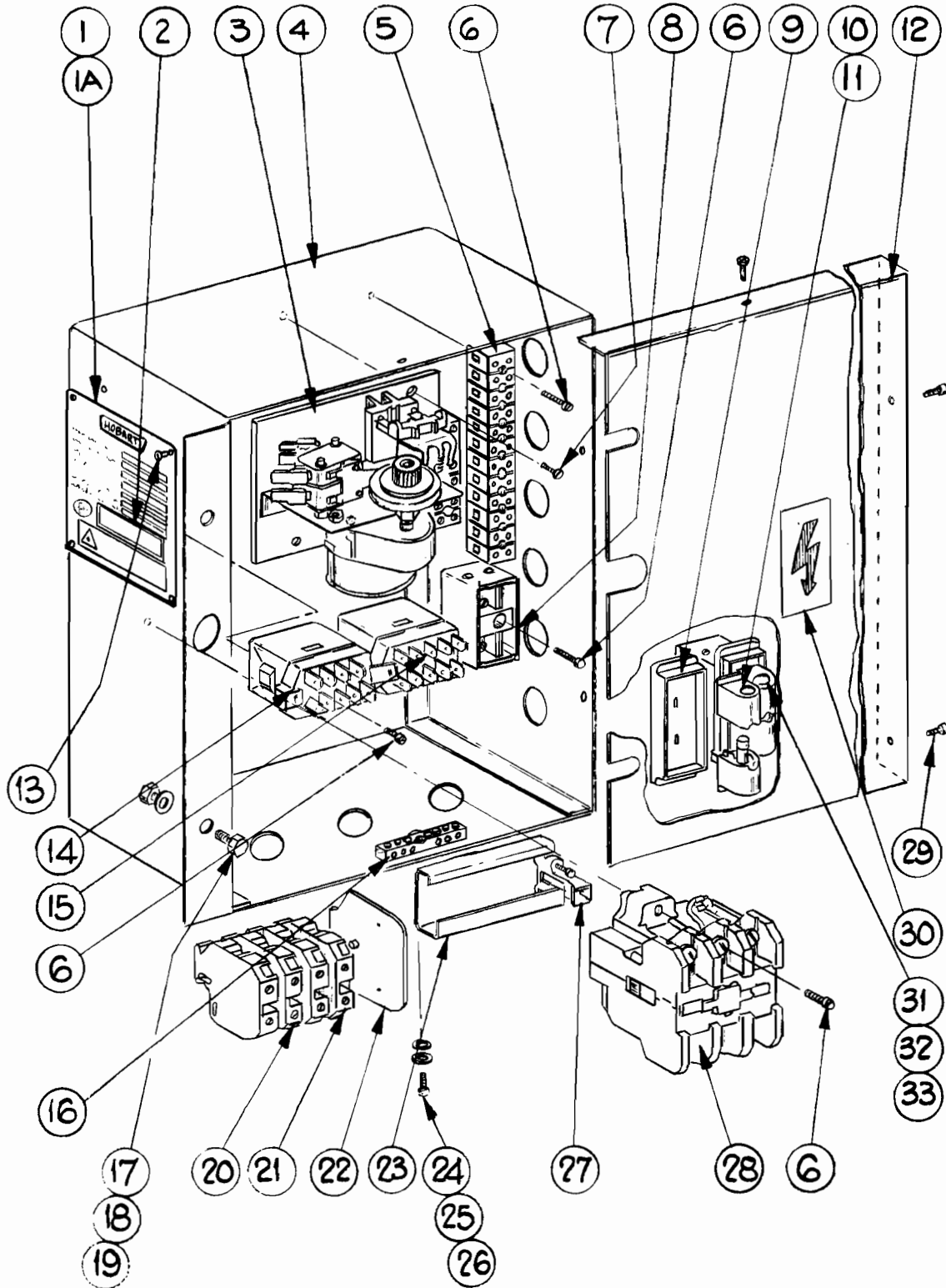
	PAGE
Control Box	6
Control Panel Assembly and Front Panel	4
Door Lift Mechanism	24
External Rinse Pipework	22
Frame and Wash Tank	18
Hood Assembly	26
Internal Wash and Rinse System	20
Steam Rinse Calorifier	12
Rinse Pump and Motor Unit A.C. and D.C.	14
Rinse Cylinder - Electrical Heating	10
Wash Pump	28

Control Panel Assembly and Front Panel



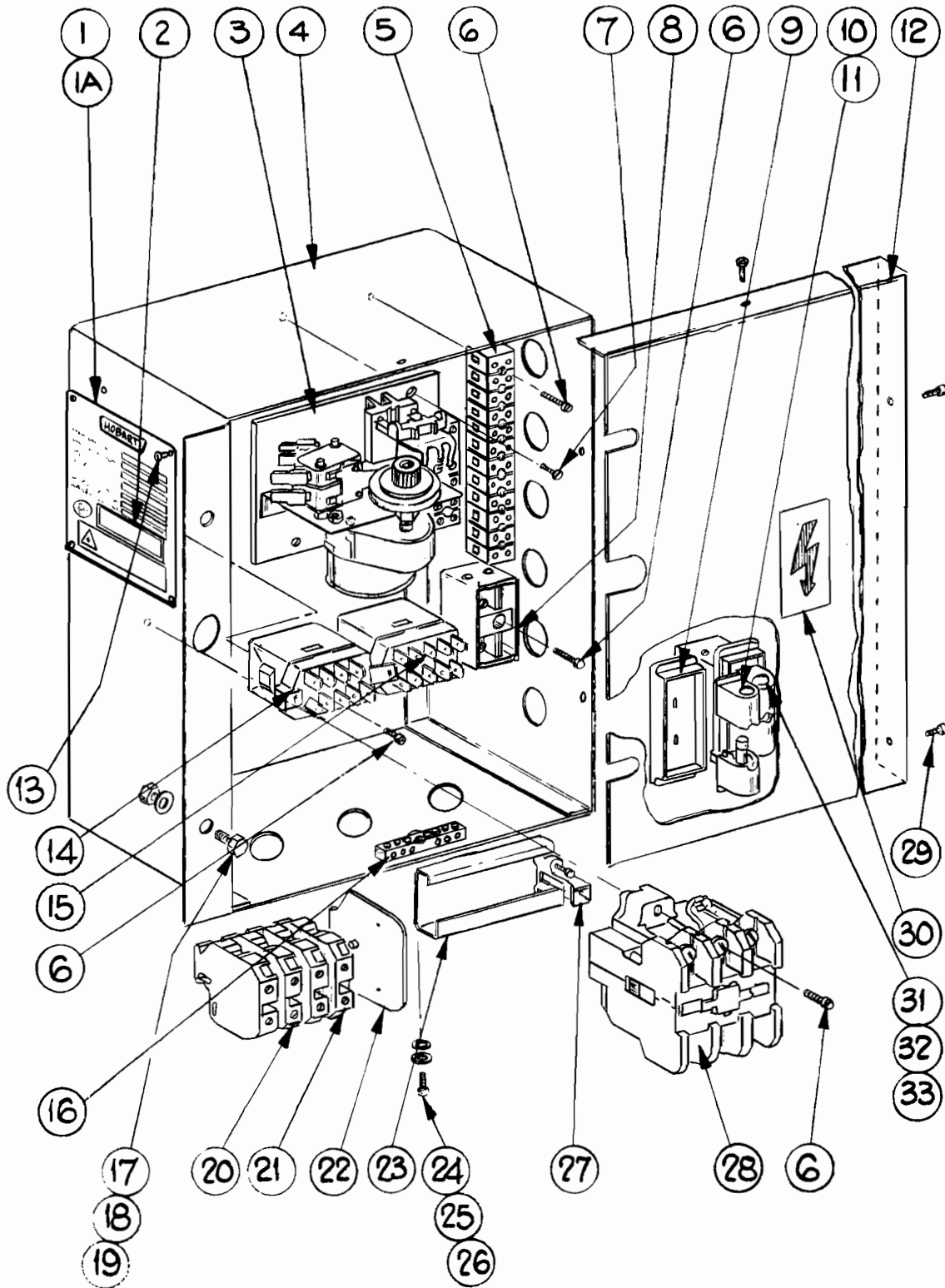
Control Panel Assembly and Front Panel

Key No.	Part No.	Part Name	Qty.
1		SCM-E-12-5 Screw M5 x 12 CSK.HD.	4
2	D136636	Front Panel	1
3		SCM-E-13-15 Screw M6 x 12 Mushroom HD.	4
4	D137955	Switch Insulation	1
5	B146957 B228499-1	240 Volts Pilot Light Body with Bulb Pilot Light Lens - Green (spare bulb B168233-1)	1 1
		OR	
	B228498 B168233-1 B228499-1	115 Volts Pilot Light Body Bulb 110v Pilot Light Lens - Green	1 1 1
6	C137956	Control Panel Assembly	1
7		WAM-E-8-14 Washer M4	6
8		LWM-E-2-2 Lockwasher M4	5
9		NUM-E-2-11 Hex Nut M4	6
10	B137953	Plate - Switch Logo	1
11	B227167	Programme Switch	1
12	B138065-1	Illuminated Push Button Switch	1
13	138100	Identification Ring - Final Rinse	1
14		EP-E-6-23 'P' Clip 3/4"	1
15		EPM-E-11-25 Flexible Conduit 20mm	300mm
16		TH-E-2-7 Vapour Pressure Thermometer 2" dia.	2
17	B138099	Identification Ring - Wash	1
18		EPM-E-11-30 Adaptor 20mm	1
19		EPM-E-11-13 Locknut 20mm	1



Control Box

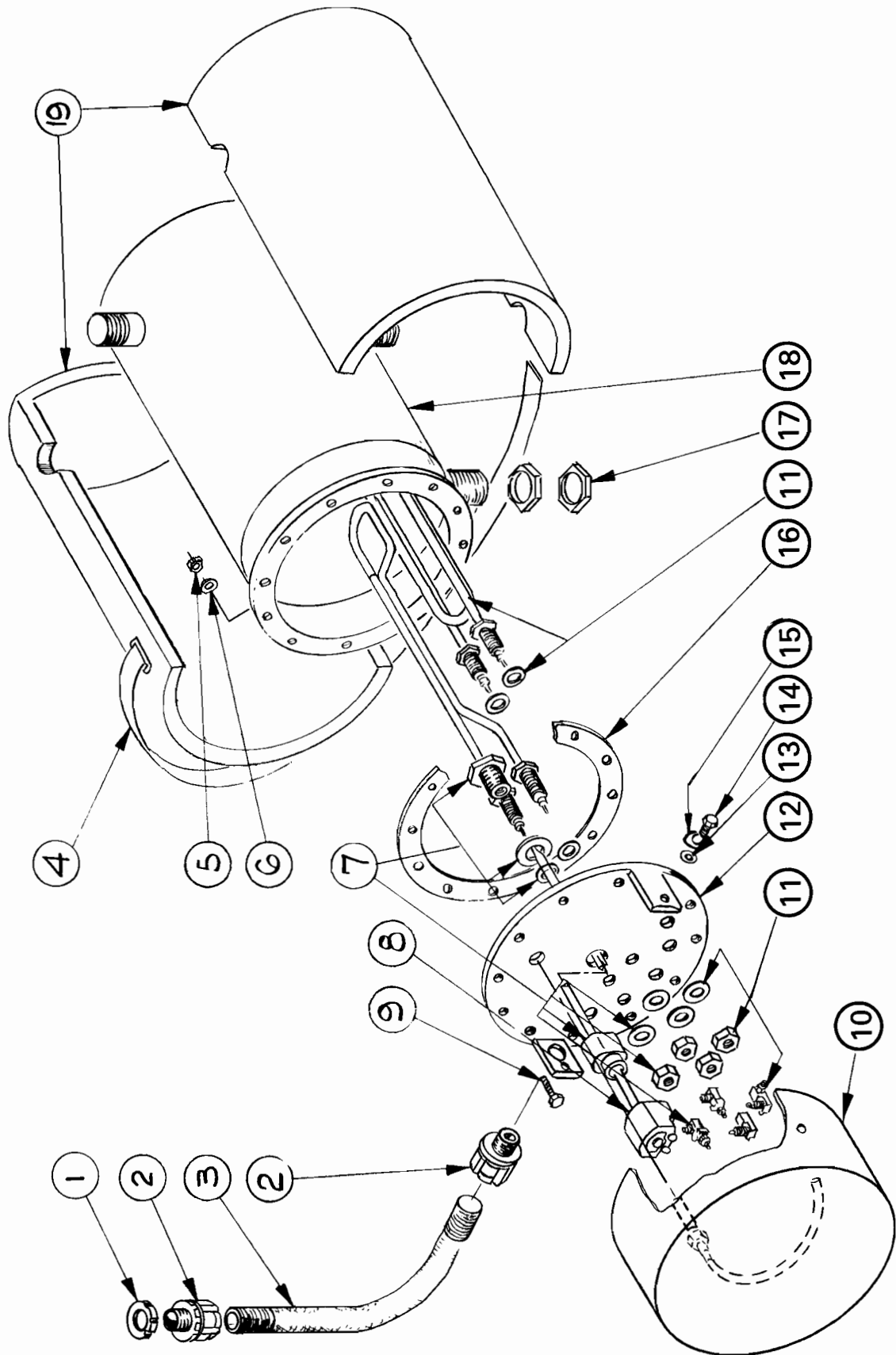
Key No.	Part No.	Part Name	Qty.
1	B136186	Specification Plate & Sticker Assembly (includes Key No. 1A & 2)	1
1A	B135137	Specification Plate - European Large	1
2	C136075-1	Sticker - Local Identification	1
3	B59371-1	Timer 60 sec. 220/240v 50Hz	1
	OR		
	B59371-2	Timer 60 sec. 230/240v 60Hz	1
	OR		
	B59371-5	Timer 60 sec. 110v 60Hz	1
4	C136650	Control Box Assembly	1
5		EP-E-2-41 12-way Terminal Block	1
6		SD-E-2-37 Screw Self Tapping No. 4 x 5/8"	8
7		SD-E-2-19 Screw Self Tapping No. 8 x 1/2"	2
8		EP-E-1-25 Fuse Base 30 amp	2
9		EP-E-1-26 Fuse Base Cover 2 amp	1
10		EP-E-1-28 Fuse Carrier 2 amp	1
11		EP-E-1-30 Fuse Cartridge 2 amp	1
12	D137395	Cover Control Box	1
13		RV-E-2-37 Pop Rivet 1/8" Ø x 0.19"	4
14	C135842-1	Relay (Wash Motor) 110v 50Hz	1
	OR		
	C135842-4	Relay (Wash Motor) 115v 60Hz	1
	OR		
	C135842-7	Relay (Wash Motor) 220v 50Hz	1
	OR		
	C135842-8	Relay (Wash Motor) 220v 60Hz	1
	OR		
	C135842-10	Relay (Wash Motor) 240v 50Hz	1
15	C135842-1	Relay (Rinse Motor) 110v 50Hz	1
	OR		
	C135842-4	Relay (Rinse Motor) 115v 60Hz	1
	OR		
	C135842-7	Relay (Rinse Motor) 220v 50Hz	1
	OR		
	C135842-8	Relay (Rinse Motor) 220v 60Hz	1
	OR		
	C135842-10	Relay (Rinse Motor) 240v 50Hz	1



Control Box

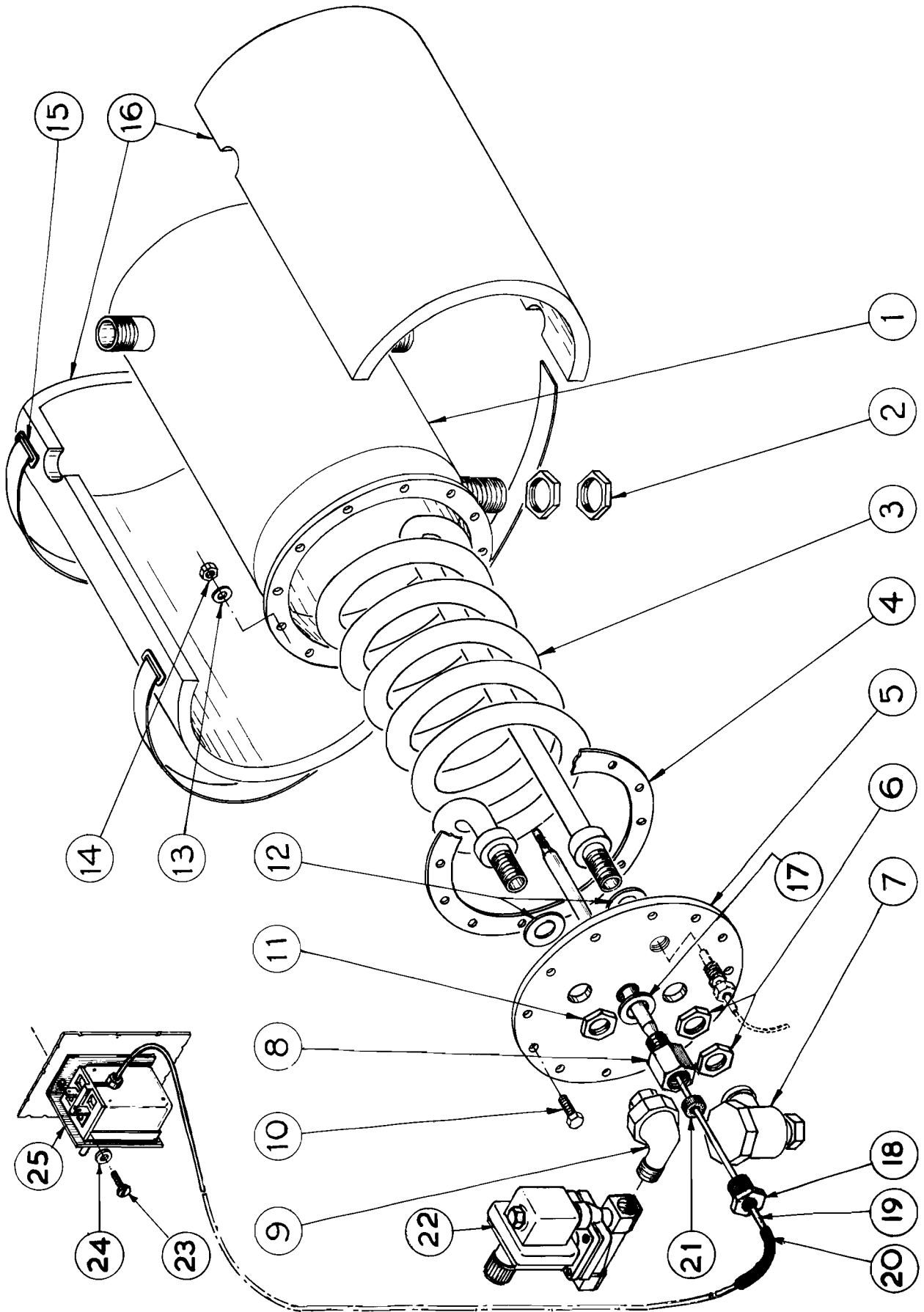
Key No.	Part No.	Part Name	Qty.
16	B168155-2	Earth Bar	1
17		SCM-E-13-30 Screw M6 x 20 Hex. Hd.	2
18		WAM-E-8-28 Washer M6	4
19		NUM-E-3-9 Stiff Nut-aerotite M6	2
20	B166456-4	Terminal Klippon SAK6 (3 phase)	3
		OR	
	B166456-8	Terminal Klippon SAK35 (1 phase)	2
21	B166454-4	Terminal Klippon SAK6	1
22	B168154-3	End Plate (3 phase)	1
		OR	
	B168154-5	End Plate (1 phase)	1
23	B135891-22	Terminal Mounting Rail	1
24		SCM-E-3-4 Screw M4 x 8 CH.HD.	1
25		WAM-E-8-15 Plain Washer M4	1
26		LWM-E-2-1 Lockwasher Single Coil	1
27	B168282-1	End Bracket	2
28	C136639-1	Contactor 220v 50Hz	1
		OR	
	C136639-2	Contactor 240v 50Hz	1
		OR	
	C136639-5	Contactor 220v 60Hz	1
		OR	
	C136639-11	Contactor 115v 60Hz	1
		OR	
	B168988-1	Contactor 220v 50Hz	1
		OR	
	B168988-2	Contactor 240v 50Hz	1
29		SCM-E-12-6 Screw M5 x 12 Hex.Hd.	3
30	M59858	Sign - High Voltage	1
31		EP-E-1-27 Fuse Base Cover 15 amps.	1
32		EP-E-1-32 Fuse Cartridge 15 amps	1
33		EP-E-1-29 Fuse Carrier 15 amps.	1

Rinse Cylinder - Electric Heating



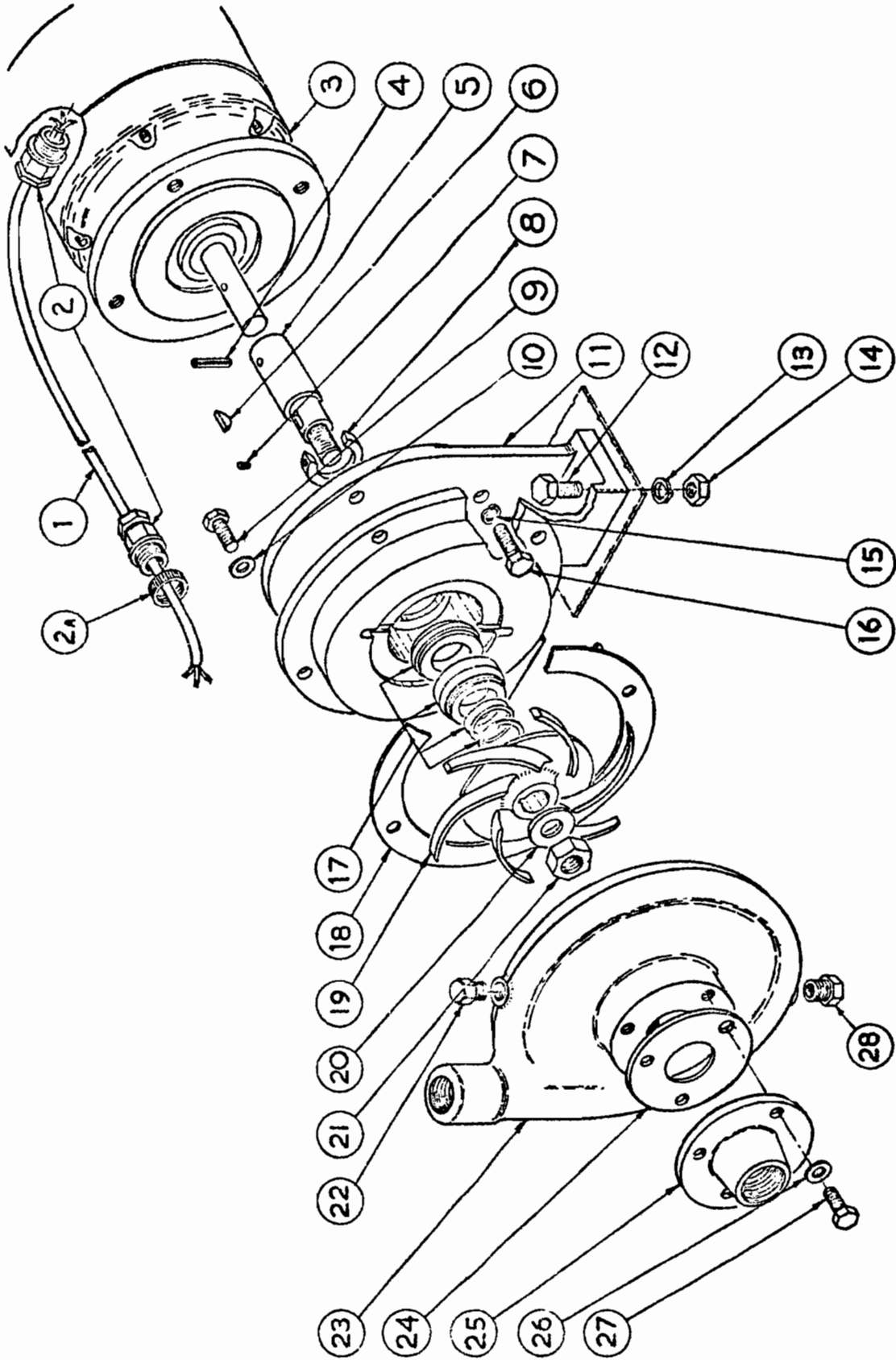
Rinse Cylinder - Electric Heating

Key No.	Part No.	Part Name	Qty.
1		EPM-E-11-13 Locknut 20mm	2
2		EPM-E-11-30 Adaptor 20mm	2
3		EPM-11-25 Conduit 'Betaflex' 20mm	120
4		CL-E-2-19 Lagging Band	2
5		NUM-E-3-2 Hex Nut M6	12
6		WAM - E-8-28 Washer M6	12
7	R55950	Steriliser Element 230/250v	1
		OR	
	R55950-1	Steriliser Element 200/220v	1
		OR	
	R55950-2	Steriliser Element 120v	1
8	B135412	Thermostat Stem 11" 57248 THERMOSTAT STEM 7"	1
9		SCM-E-13-39 Screw Hex Hd M6 x 25mm	12
10	R54988	Terminal Cover	1
11	R55868	2.1/2kW Element 240v	3
		OR	
	R55868-1	2.1/2kW Element 200/220v	3
		OR	
	R55868-2	2.1/2kW Element 127v	3
12	R56004	Boiler End Plate	1
13		WAM-E-8-28 Washer M6	2
14		SCM-E-13-24 Hex Hd Screw M6 x 16	2
15		LWM-E-3-1 Single Coil Lockwasher M6	2
16	P54874	Gasket	1
17		PF-E-8-29 Backnut 3/4" BSP	4
18	R54871	Boiler Shell Assembly	1
19	R55723	Lagging Jacket	1



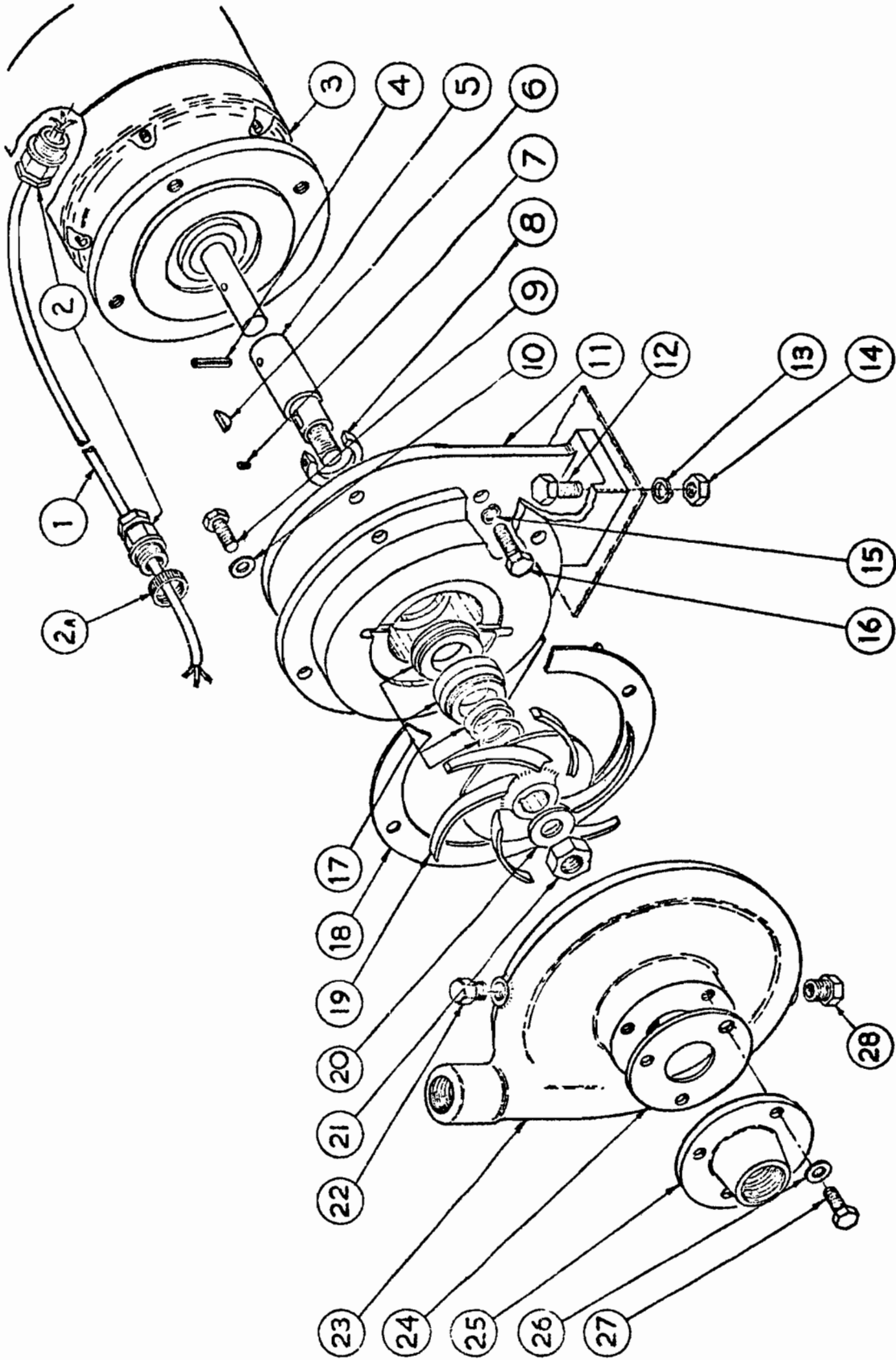
Steam Rinse Calorifier

Key No.	Part No.	Part Name	Qty.
1	R-54871	Boiler shell assembly	1
2		PF-E-8-29 3/4" back nut	4
3	R-54997	Steam coil assembly	1
4	P-54874	Gasket	1
5	P-55369	Boiler end plate	1
6		PF-E-8-28 1/2" back nut	2
7		PF-E-2-43 1/2" Thermostatic steam trap	1
8	M-39377	Union special 10 MM THREAD 1MM PITCH	1
9		PF-E-14-35 1/2" Female/male elbow	1
10		SCM-E-13-39 M6 x 25 hex. hd. screw	12
11		PF-E-8-28 1/2" back nut	2
12	M-55716	Washer - red mastic	3
13		WAM-E-8-28 M6 plain washer	12
14		NUM-E-3-2 M6 hex. nut.	12
15		CL-E-2-19 Lagging band	2
16	R-55723	Lagging jacket	1
17	B-136930	Washer - fibre	1
18	B-59703	Nut - gland	1
19	138736	Thermostat	1
20		BF-E-2-28 6mm sleeve - insulating	400mm
21	M-59702	Packing - gland	1
22	140737	1/2" Steam solenoid valve	1
23		SCM-E-3-4 M4 x 8mm cheese hd. screw	2
24		WAM-E-8-15 M4 plain washer	2
25	C-136918	Bracket - thermostat support	1



Rinse Pump & Motor Unit A.C. and D.C.

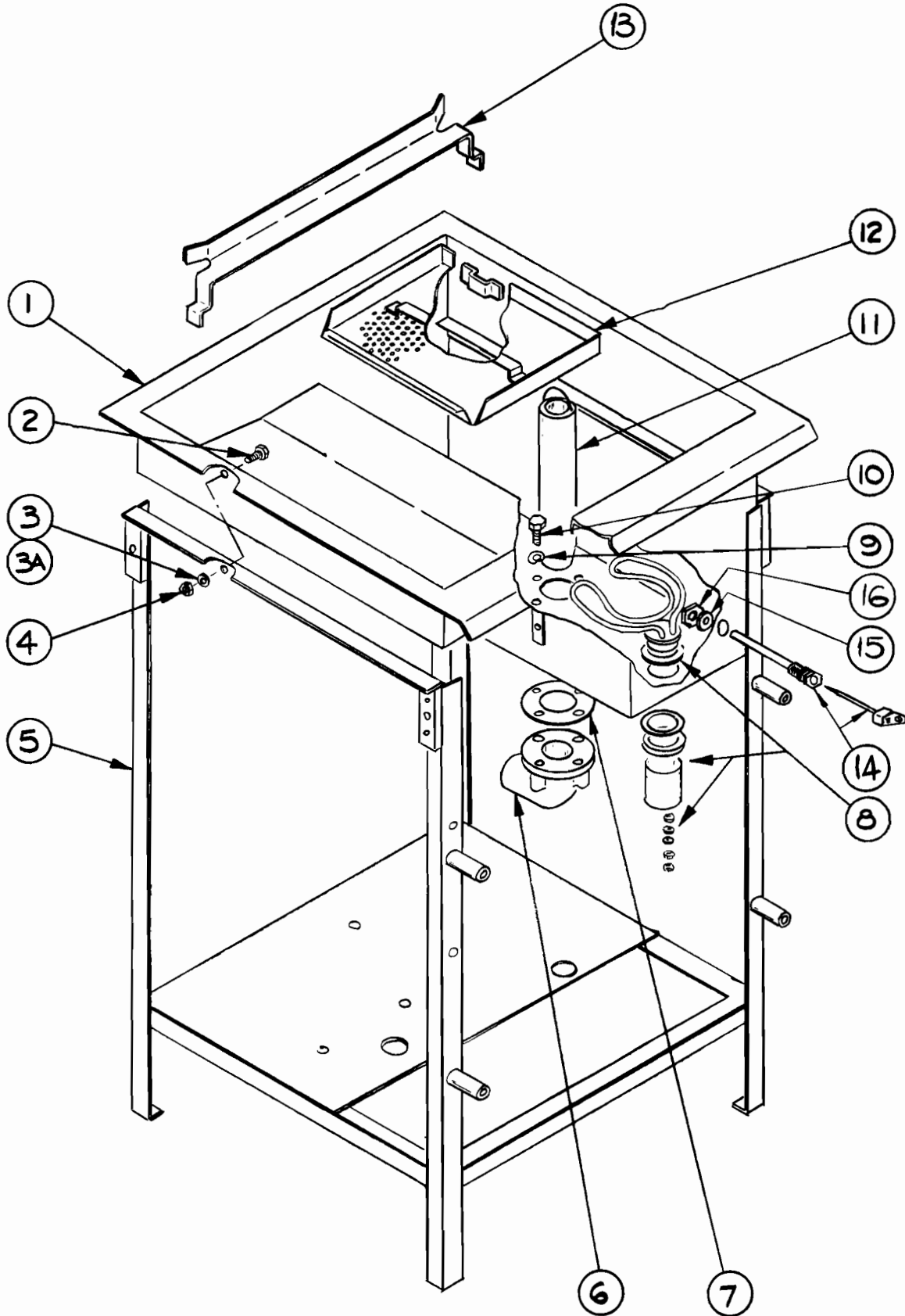
Key No.	Part No.	Part Name	Qty.
1		CA-E-2-7 0.75mm ² TRS. 3-Core Flexible Cable	762mm
2		EPM-E-11-12 Cable Gland M20	2
2A		EPM-E-11-13 Hex Locknut M20	1
3	D137780-1	Motor Single Phase 220-240v 50Hz 1/4Hp OR	1
	D137780-2	Motor Single Phase 220-240v 60Hz 1/4Hp OR	1
	D137780-3	Motor Single Phase 200-220v 50Hz 1/4Hp OR	1
	D137780-4	Motor Single Phase 200-220v 60Hz 1/4Hp OR	1
	D137780-5	Motor Single Phase 110-120v 50Hz 1/4Hp OR	1
	D137780-6	Motor Single Phase 110-120v 60Hz 1/4Hp OR	1
	ML E1888	Motor Single Phase 220-240v 50Hz 1/2Hp	1
4		PG-E-1-19 3/16" dia. Roll Pin x 7/8" Long	1
5	M56227	Motor Shaft Sleeve	1
6		WK-E-2-6 No.60BS Woodruff Key	1
7		SC-E-5-10 2BA Cup Point Set Screws 1.1/4" Long	1
8	M51088	Water Deflector	1
9		SC-E-9-14 5/16" UNC x 3/4" Hex Hd. Screw	4
10		WA-E-5-30 5/16" Plain Washer	4
11	E-56231	Motor & Pump Support	1
12		SCM-E-7-31 M10 x 30 Hex Hd. Screw	2
13		LWM-E-4-2 M10 Single Coil Lockwasher	2
14		NUM-E-4-1 M10 Hex Nut	2
15		LW-E-3-14 5/16" Single Coil Lockwasher	4
16		SC-E-9-26 5/16"—18UNC Hex Hd. Screw x 1" Long	4
17	A135811	Cyclam Seal Assembly 22mm	1
18	140295	Gasket	1
19	P56196-1	Impeller (50 Cycle & D.C.) OR	1
	P56196-2	Impeller (60 Cycles) OR	1
	P56196-3	Impeller (3000rpm Motor)	1



Rinse Pump & Motor Unit A.C. and D.C.

Key No.	Part No.	Part Name	Qty.
20		WA-E-4-34 1/2"BS Plain Washer	1
21		NU-E-3-22 1/2"—20UNF Hex Nut	1
22	B136048-1	1/8"BSP Drain Plug	1
23	R56215	Rinse Pump Volute	1
24	M51875	Gasket	1
25	M51753	Pipe Flange	1
26		WA-E-2-13 5/16"BS Plain Washer	3
27		SC-E-9-14 18UNC Hex Hd. Screw x 3/4" Long	3

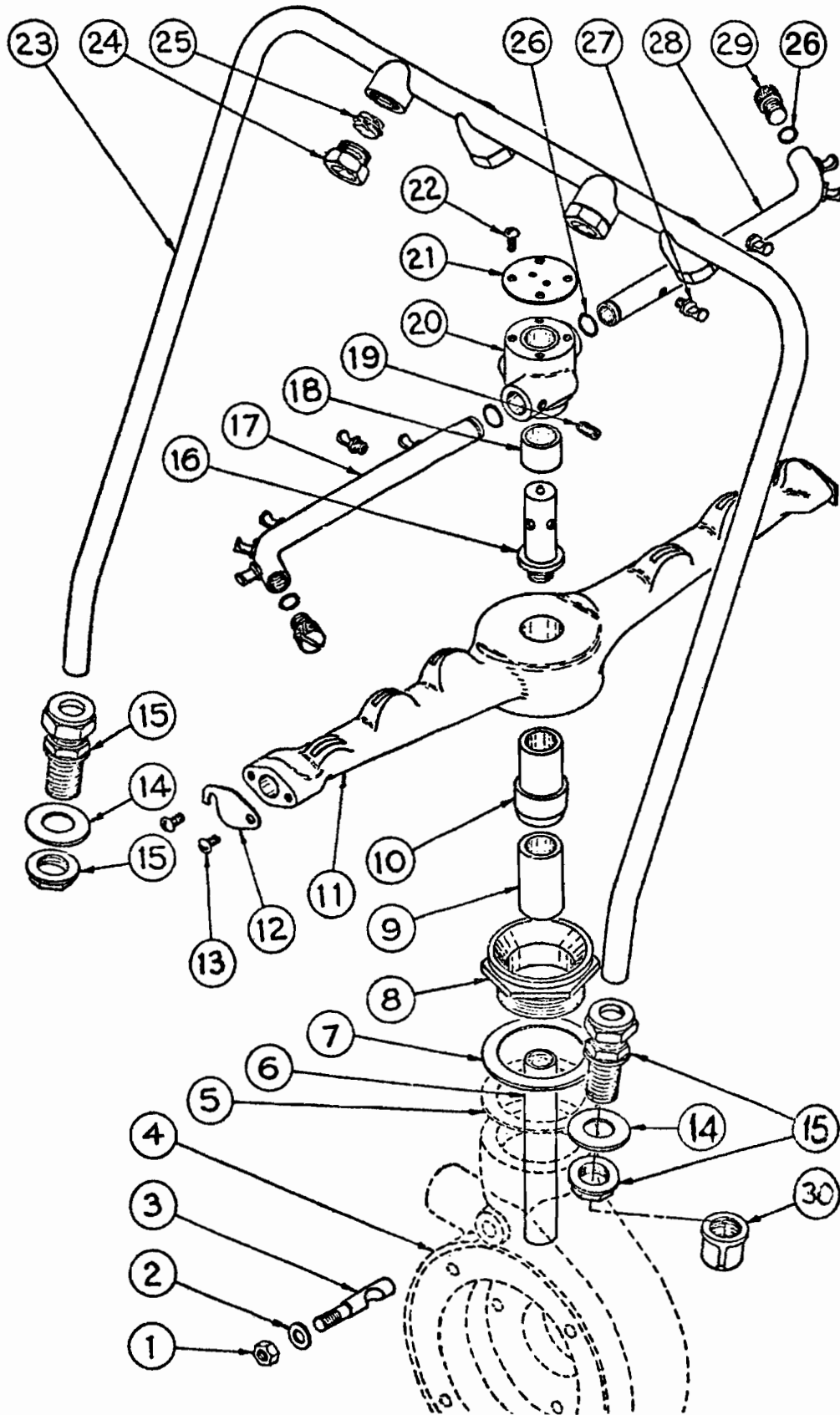
Frame and Wash Tank



Frame and Wash Tank

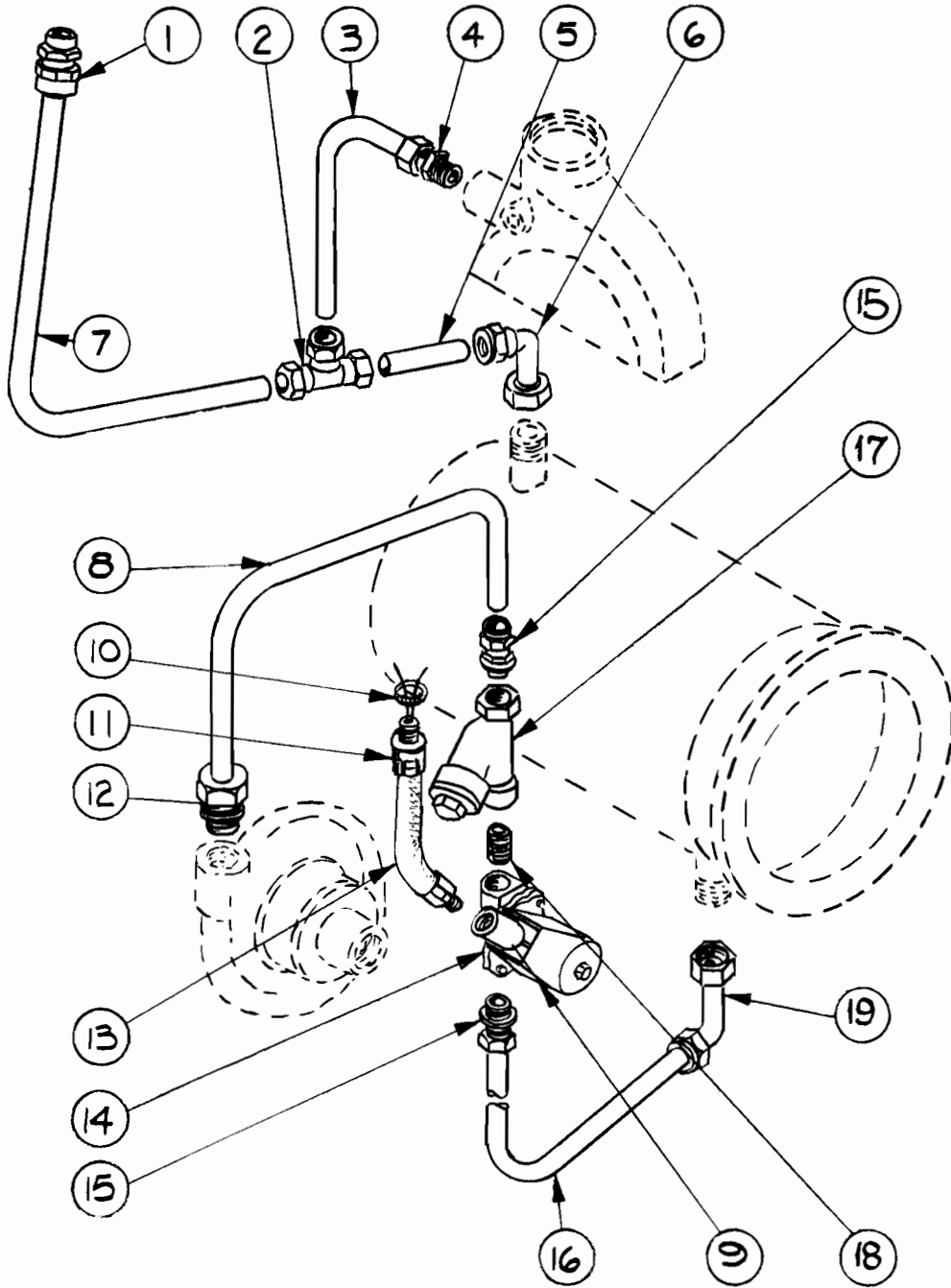
Key No.	Part No.	Part Name	Qty.
1	D138030	Wash Tank Assembly	1
2		SCM-E-13-24 Screw Hex Hd. M6 x 16mm	4
3		WAM-E-8-28 Washer M6	4
3A		LWM -E-3-1 Lockwasher Single Coil M6	4
4		NUM-E-3-2 Hex Nut M6	4
5	E137396	Supporting Frame Assembly	1
6	R137408	Drain Flange	1
7	140290	Gasket - Drain Flange	1
8	R56192-1	1kW Immersion Heater 230v	1
		OR	
	R56192-2	1kW Immersion Heater 110v	1
9		LWM-E-4-2 Lockwasher Single Coil M10	4
10		SCM-E-15-13 Screw Hex Hd. M10 x 20	4
11	C138038	Overflow Pipe	1
12	P55470	Strainer Pan Assembly	2
13	D138171	Rack Track	2
14	57248	Immersion thermostat complete with pocket. Type P3/7A.	1
15		WA-E-7-20 Red mastic washer.	1
16		PF-E-8-28 1/2" BSP backnut.	1
	55957	S/S SIDE FLAPS	

Internal Wash and Rinse System



Internal Wash and Rinse System

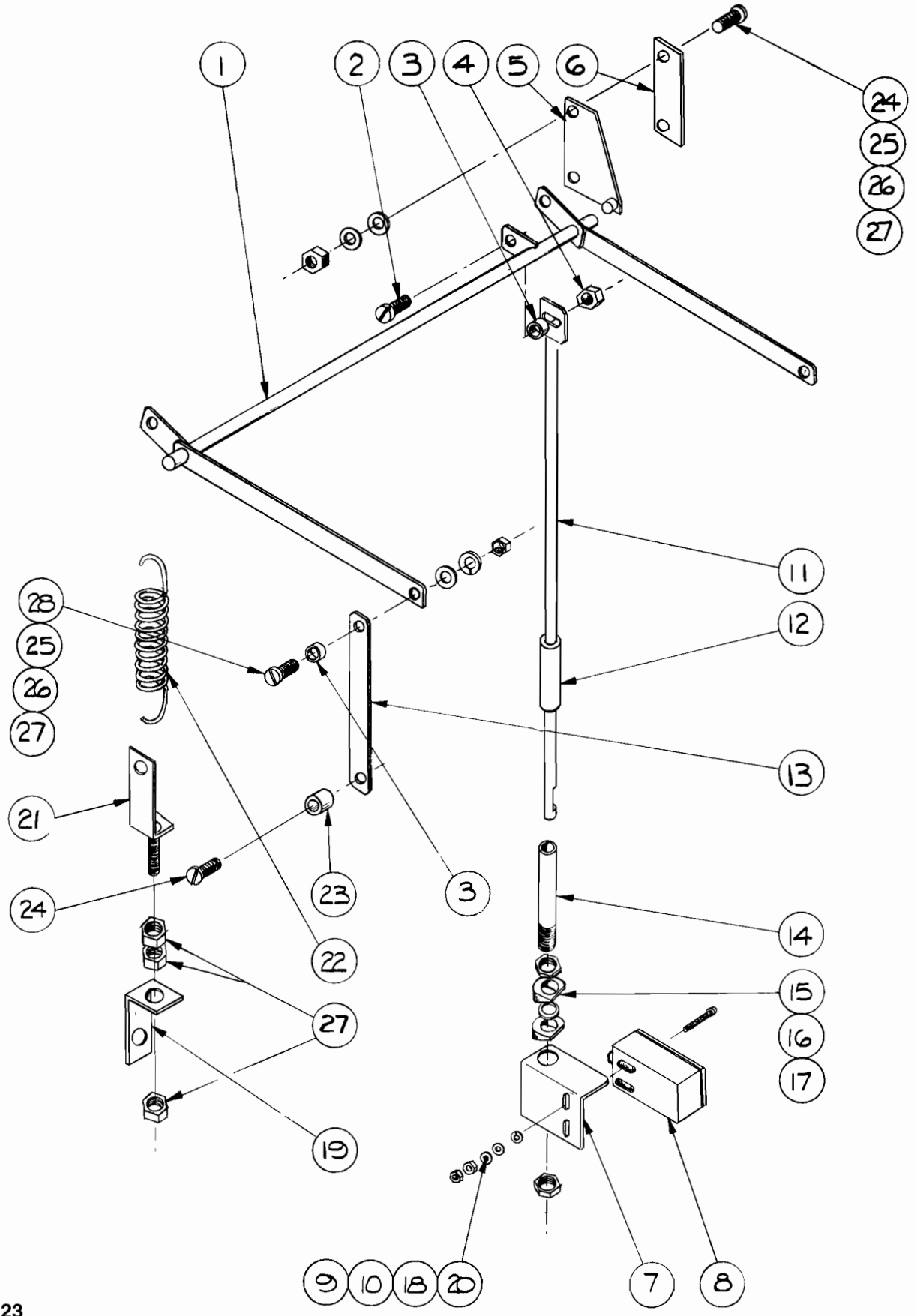
Key No.	Part No.	Part Name	Qty.
1		NUM-E-3-27 Hex Nut M8	1
2		WAM-E-8-38 Washer M8	1
3	M137403	Retaining Pin - Bearing	1
4	137400	Pump Shell	1
5	140289	Asbestos Washer	1
6	M53765	Bearing Pin - Wash Arm	1
7	M21104	Washer	1
8	P53764	Pump Discharge	1
9	M53768	Spacer - Wash Arm	1
10	M53767	Bearing - Wash Arm	1
11	R137405	Wash Arm	1
12	M53774	End Cover - Wash Arm	2
13		SCM-E-12-6 Screw Hex Hd. M5 x 12	4
14		WA-E-3-16 Washer 7/8" I.D. x 1.5/8" O.D. x 14 SWG	2
15	B136055	Modified 15mm x 1/2" m.i. Straight Coupling	2
16	M53922	Bearing Pin - Rinse Arm	1
17	P55207	Rinse Arm (5 nozzles)	1
18		CB-E-2-7 'Compo' Bearing 3/4" x 1" x 11/16" Long	2
19		SCM-E-13-14 Screw M6 x 12 Socket Set Screw	2
20	R137407	Body - Rinse Arm	1
21	M53380	Pivot Bearing Plate	1
22		SCM-E-12-19 Screw M5 x 10 Rd. Hd.	4
23	D138050	Upper Rinse Pipe Assembly	1
24	P53804	Top - Rinse Nozzle	4
25	R53806	Core - Rinse Nozzle	4
26		GS-E-2-9 'O' Ring - Rinse Arm	4
27	M51604	Rinse Nozzle	9
28	P55206	Rinse Arm (4 Nozzles)	1
29	M53652	Plug - Rinse Arm	2
30		PF-E-8-43 1/2" BSP Cap	1



External Rinse Pipework

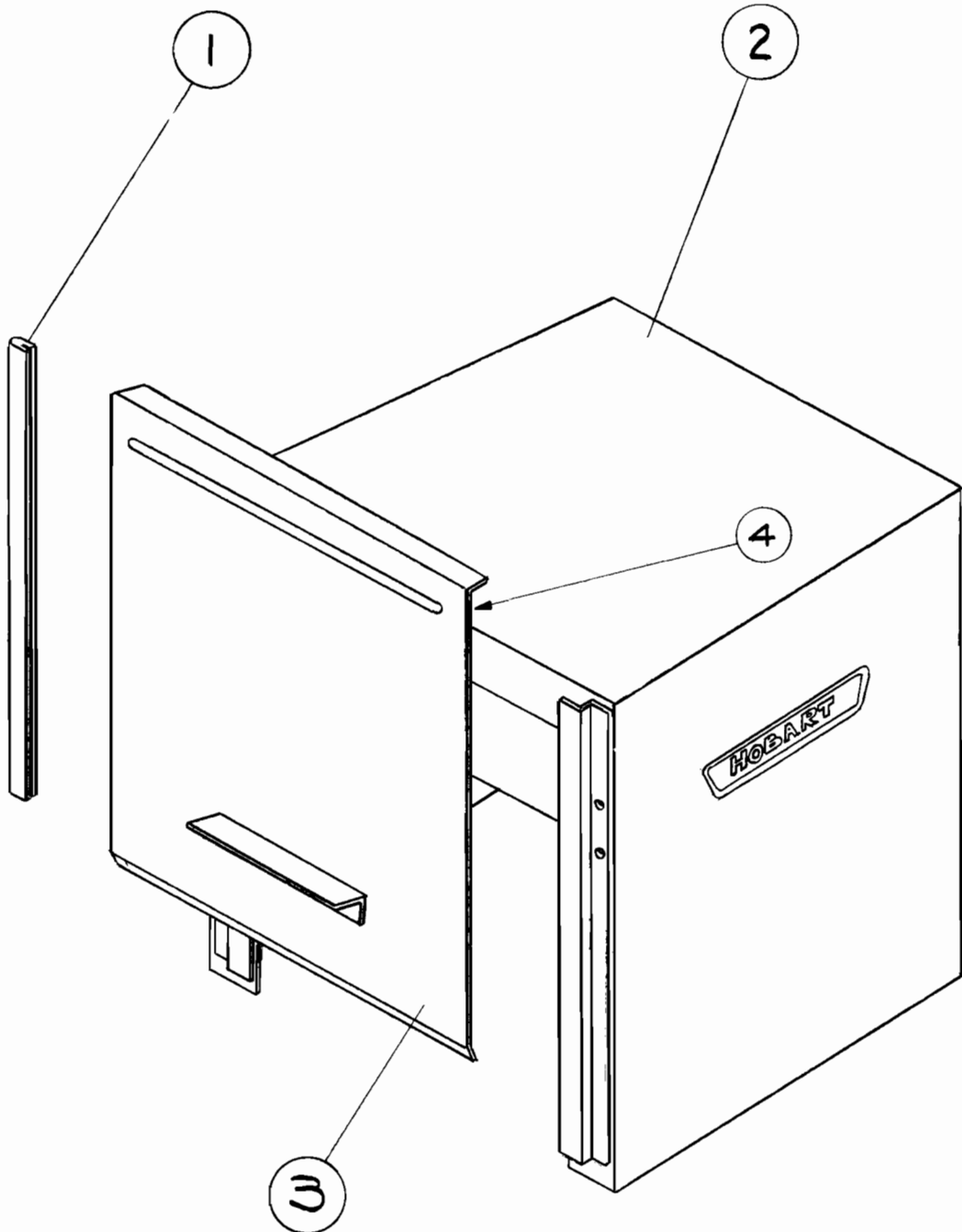
Key No.	Part No.	Part Name	Qty.
1		PFM-E-9-13 1/2" BSP F.I. x 15mm cu. coupling	1
2		PFM-E-9-20 15mm cu. tee	1
3	B136630	Lower Rinse Supply Pipe	1
4		PFM-E-10-8 3/8" BSP x 15mm cu. coupling	1
5	59761-46	Boiler Outlet Pipe	1
6	PFM-E-9-23	3/4" F.I. x 15mm Swivel Tap Adaptor	1
7	C136631	Upper Rinse Supply Pipe	1
8	B136627	Outlet Pipe - Rinse Pump	1
9		EPM-E-11-19 Cable Gland PG11	2
10		EPM-E-11-13 Lock Ring 20mm	1
11		EPM-E-12-12 Cable Gland M20	1
12		PFM-E-10-10 3/4" BSP Male x 15mm cu. Straight Coupling	1
13		CA-E-2-1 1mm ² 3-core Cable	120mm
14	C59486-1	1/2" Solenoid Valve 230v 50Hz Coil	1
		OR	
	C59486-4	1/2" Solenoid Valve 115v 60Hz coil	1
		OR	
	C59486-6	1/2" Solenoid Valve 115v 50Hz Coil	1
		OR	
	C59486-8	1/2" Solenoid Valve 230v 60Hz Coil	1
15		PFM-E-9-6 Straight Coupling 1/2" m.i. x 15mm cu.	2
16	138379	Boiler Inlet Pipe	1
17		PF-E-2-6 1/2" BSP Line Strainer	1
18		PF-E-8-6 1/2" BSP x 1.1/8" Nipple	1
19	PFM-E-9-23	3/4" F.I. x 15mm Cu. Bent Swivel Tap Adaptor	1
	138378	PIPEWORK ASSY.	
	138377	ASSY. RINSE SUPPLY PIPEWORK	

Door Lift Mechanism

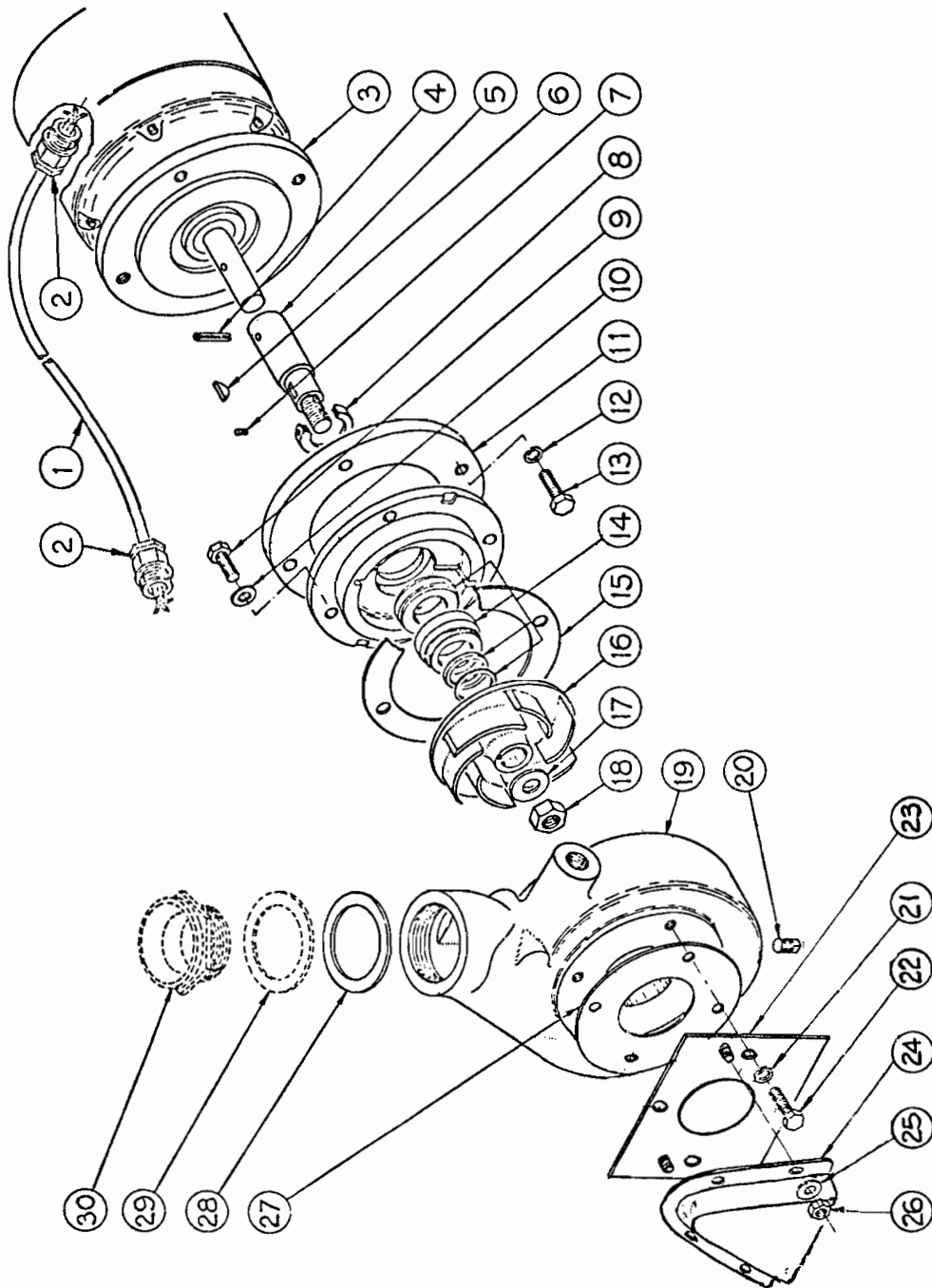


Door Lift Mechanism

Key No.	Part No.	Part Name	Qty.
1	D138074	Door Lift Assembly	1
2		SCM-E-13-24 Screw M6 x 16 Hex. Hd.	1
3	B138082	Spacer Door Link	3
4		NUM-E-3-9 Nut M6 Aerotite	1
5	B138084-1	Support Pivot Assembly L.H.	1
	B138084-2	Support Pivot Assembly R.H.	1
6	B138080	Spacer Pivot Support	2
7	B138060	Angle Bracket	1
8	B226916	Switch	1
9		SCM-E-11-47 Screw M4 x 40 Round Hd.	2
10		LWM-E-2-2 Lockwasher M4	2
11	B138087	Rod Assembly Actuator	1
12	B227016	Jacket	1
13	B138064	Door Link	2
14	B138068	Bearing	1
15		NUM-E-4-26 Nut M12 Thin Type	2
16	A137910	Wedge Washer	2
17		WAM-E-8-44 Washer M12	1
18		WAM-E-8-14 Washer M6 Plain	4
19	B138081	Angle - Spring Support	2
20		NUM-E-2-11 Nut M4	4
21	B138093	Bracket Assembly	2
22	B138078	Spring	2
23	B119048	Spacer Door Link	2
24		SCM-E-13-23 Screw M6 x 16 Pan Hd.	6
25		WAM-E-8-28 Washer M6 Plain	6
26		LWM-E-3-1 Lockwasher M6 Single Coil	10
27		NUM-E-3-2 Nut M6 Hex	11
28		SCM-E-13-28 Screw M6 x 16 Mushroom Hd.	2



Key No.	Part No.	Part Name	Qty.
1	C112378-44	Door Slide	4
2	E138085	Chamber Assembly	1
3	C138076	Door Assembly	2
4	138088	DOOR STOP	



Wash Pump

Key No.	Part No.	Part Name	Qty.
1		CA-E-2-7 0.75mm TRS. 3-core Flexible Cable	610mm
2		EPM-E-11-12 Cable Gland M20	2
2A		EPM-E-11-13 Hex Locknut M20	1
3	D137780-1	Motor Single Phase 220/240v 50Hz 1/4HP OR	1
	D137780-2	Motor Single Phase 220/240v 60Hz 1/4HP OR	1
	D137780-3	Motor Single Phase 200/220v 50Hz 1/4HP OR	1
	D137780-4	Motor Single Phase 200/220v 60Hz 1/4HP OR	1
	D137780-5	Motor Single Phase 110/120v 50Hz 1/4HP OR	1
	D137780-6	Motor Single Phase 110/120v 60Hz 1/4HP OR	1
	ML E1888	Motor Single Phase 220/240v 50Hz 1/2HP	1
4		PG-E-1-19 3/16" dia. Roll Pin x 7/8" Long	1
5	M56227	Motor Shaft Sleeve	1
6		WK-E-2-6 No. 60BS Woodruff Key	1
7		SC-E-5-10 2BA Cup point Set Screw x 1/4" Long	1
8	M51088	Water Deflector	1
9		SC-E-9-14 5/16"UNC x 3/4" Long Hex. Hd. Screw	4
10		WA-E-5-30 5/16" Plain Washer Copper	4
11	R53749	Motor Support	1
12		LW-E-3-14 5/16" Single Coil Lockwasher	4
13		SC-E-9-26 5/16"UNC x 1" Long Hex. Hd. Screw	3
14	A135811	22mm "Cyclam" Seal Assembly	1
15	M104063	Gasket	1
16	R53758-1	Impeller - 50 Cycles OR	1
	R53758-2	Impeller - 60 Cycles	1
17		WA-E-4-34 1/2" Plain Washer	1
18		NU-E-3-22 1/2"UNF Hex. Nut	1
19	D137400	Pump Shell	1
20		PF-E-7-41 1/8" BSP Drain Plug	1
21		LWM-E-3-27 M8 Single Coil Lockwasher	4
22		SCM-E-14-24 M8 x 25mm Hex. Hd. Screw	4